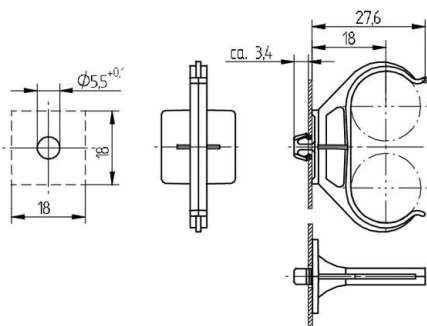


 Create pdf

Lampholders for compact fluorescent lamps

26.726.-320

Accessories for TC-L lamps



colour	pkg.	wt.	part no.
white	500	2 g	26.726.-320.50

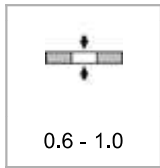
Supports for lamps TC-L

Lamp centre: 18 mm

Snap in pins \varnothing 5.5 mm

Support material: PC

- Supports ensure a constant gap between lamp and geartray
- For applications with a high light output (reflectors, glass covers, several lamps next to each other), we recommend metal supports, part no. 26.726.U810 / 26.726.U811 / 26.726.U826.
- The position of the lamp support relative to the lampholder acts as a lamp key system in accordance with IEC 60901



Document generated on: Th, 9. February 2017 - 15:10